



## FUSE





# MINIMAL DESIGN MEETS ACOUSTIC PERFORMANCE

Fuse provides a uniquely effective baffle design with a low-profile aesthetic, designed especially for spaces with low, hard ceilings where standard baffles or clouds aren't an option.

Available in 20 colors and three standard dimensions:

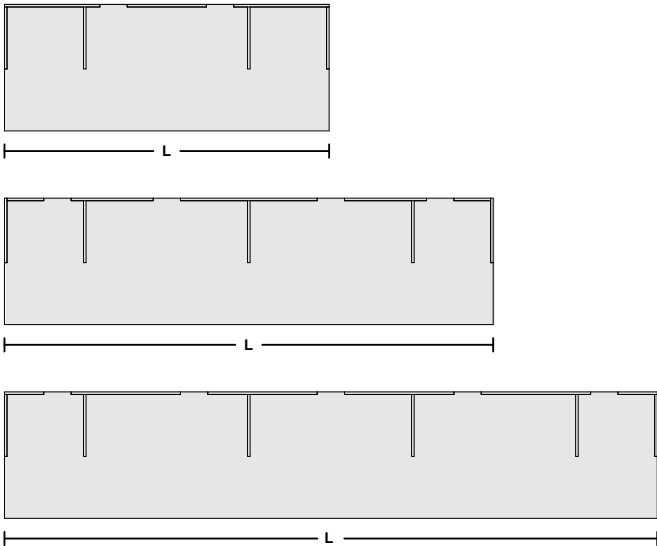
- 7"Hx48"Lx2.75"D
- 7"Hx72"Lx2.75"D
- 7"Hx96"Lx2.75"D
- Typical spacing 6" to 18"
- Custom sizes available.

# PRODUCT SPECIFICATIONS

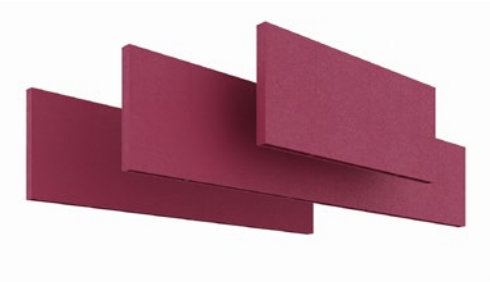
## PROFILE



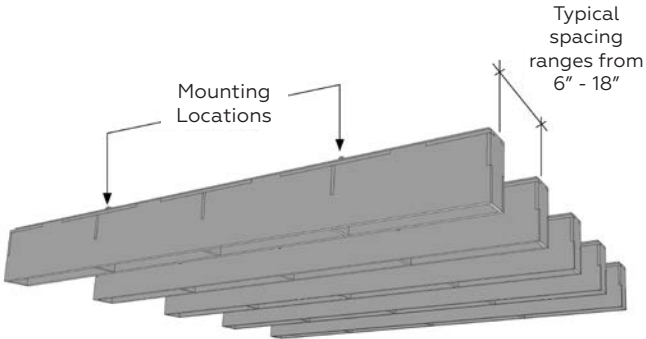
## ELEVATION



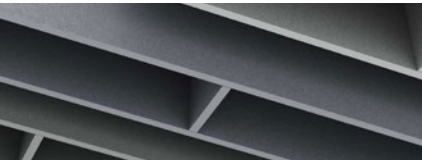
Custom design and configuration options



## INSTALLATION



Acoustic panel detail





20 standard colors. Custom options available.



# TECHNICAL SPECIFICATIONS

## Absorption

Average NRC 0.85.

(subject to thickness and mounting conditions)

## Material

100% polyester fiber acoustic felt.

## Eco-Friendly

Yes! 60% recycled PET materials, 40% new material, non-toxic, non-allergenic, non-irritant, no coatings or sprays which degrade over time.

## Fire Rating

ASTM E84 Class A Fire Spread rating is permanently achieved by infusing 40% new material into the panel. MPS never uses sprays or coatings that degrade and lose their rating status.

## MOUNTING OPTIONS

